



## **Batch Mixers**

### **Capacity**

1-8000 gallons.

### **Workheads**

Interchangeable workheads available for all models.

### **Materials of Construction**

Product contact parts in 316L stainless steel. Non-standard materials such as carbon steel or Hastelloy available on request.

### **Motor Specification**

1-200 hp, TEFC, washdown duty, explosion proof, ATEX approved and stainless steel motors available as standard.

### **Mounting**

All mixers can be supplied with either a rectangular or circular flange for mounting on the vessel. Smaller models can be mounted on specially constructed mobile hydraulic floor stands.

### **Sealing**

Where sealing is required, lip seals and single or double mechanical shaft seals can be supplied.

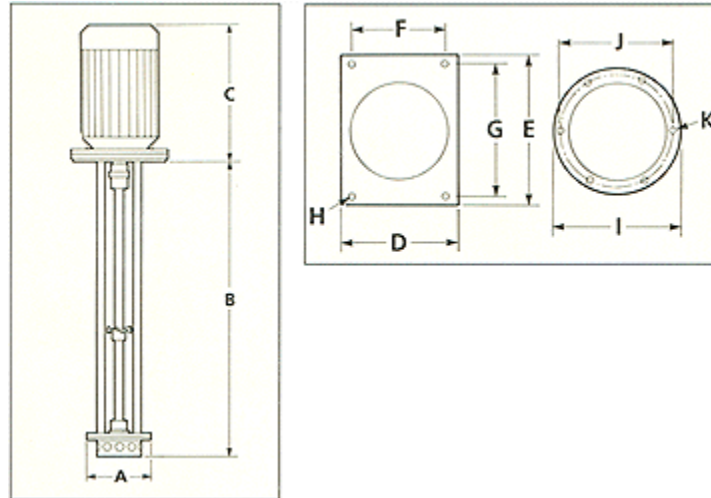
### **Cleaning**

Simple, easy-to-clean construction.

**Batch Mixers, 60Hz Motors - Dimensions in Inches**

															CAPACITY	
	HP	R.P.M.	A	B	TEFC C	EXPF C	D	E	F	G	H	I	J	K	Water Visc.	High Visc.
<b>BX/60</b>	1.5	3600	4 5/8	24	11	12 1/2	9	9	7	8	4x3/8	10	8	6x3/8	60	5
<b>DX/60</b>	3	3600	6 1/4	27	13	14	10	10	8	9	4x3/8	10	8	6x3/8	120	15
<b>EX/60</b>	5.0	3600	6 1/2	31	13 1/2	15	12	12	10 1/2	10 1/2	4x7/16	13 1/4	11 1/2	6x7/16	180	20
<b>FX/60</b>	7.5	3600	6 1/2	41	15 3/4	17 1/2	12	16	10	14 1/2	4x7/16	16	14	6x7/16	320	40
<b>GX15</b>	15	3600	11 1/4	48	21	22 1/2	15	19	12	17	4x9/16	16	14	6x9/16	475	60
<b>GX15</b>	15	1800	11 1/4	48	21	22 1/2	15	19	12	17	4x9/16	16	14	6x9/16	600	100
<b>GX25</b>	25	3600	11 1/4	48	22 1/4	25 1/2	15	19	12	17	4x9/16	16	14	6x9/16	600	100
<b>700X</b>	20	1800	14 1/2	60	22 1/4	25 1/2	19	15	17	12	4x9/16	19	16	6x9/16	900	*
<b>HX15</b>	15	1200	16 1/2	+	22 1/4	25 1/2	20 1/2	17	18 3/4	15	4x11/16	23	20 1/2	6x13/16	1500	*
<b>HX40</b>	40	1800	16 1/2	+	28 1/2	30	20 1/2	17	18 3/4	15	4x11/16	23	20 1/2	6x13/16	1500	*
<b>JX</b>	25	1200	16 1/2	+	28 1/2	29 3/4	20 1/2	17	18 3/4	15	4x11/16	23	20 1/2	6x13/16	2000	*
<b>KX</b>	from 50	1200	24	+	35	39	34	28	31	24	4x11/16	34	31 1/4	8x11/16	3000	*

+ Length adjusted to suit vessel.  
\* Capacities available on request.



The dimensions shown are approximate only and certified diagrams should be used for installation purposes. Silverson reserves the right to change dimensions and specifications without notice.